

CONPROSYS Series
Serial I/O Module RS-232C
CPS-COM-1PC (1ch type)
CPS-COM-2PC (2ch type)



*The photograph is a CPS-COM-2PC.

* Specifications, color and design of the products are subject to change without notice.

Features

RS-232C serial communication, supporting 921,600bps to the maximum

CPS-COM-1PC has 1channel of RS-232C-compliant serial port, and CPS-COM-2PC has 2channels of RS-232C-compliant serial port. Baud rates from 2 to 921,600bps can be set per each channel.

Compact Design

Compact design, 25.2(W) x 94.7(D) x 124.8(H) mm, features flexibility in installation.

Adaptable to a wide range of temperature between -20 and +60°C

The product is capable of operating in the temperature between -20 and + 60°C. It can be installed in the various environments.

Installation easy with DIN rail

As the product is not only mounted on DIN rail, but also removable along the slide rails, replacing is simple and easy.

Equipped with the LED for an operation check

The product has the LED for an operation check, which helps you visually confirm the communication status of RS232C interface.

No electrolytic capacitor

Without an electrolytic capacitor, which has a limited life, we are creating the product with a longer life.

This product is an extension COM port that performs serial communication with external device(s) and operates along with the stack type controller of our CONPROSYS series.

CPS-COM-1PC has 1channel of RS-232C communication port, and CPS-COM-2PC has 2channels of RS-232C communication port.

Specification

Function specification

Item	CPS-COM-1PC	CPS-COM-2PC
Number of channels	1	2
Interface type	RS-232C	
Transfer method	Asynchronous serial transfer	
Isolation	Channel Isolation, Bus Isolation	
Voltage resistance	1000VDC	
Baud rate	2 - 921,600bps*1	
Data length	5, 6, 7, 8 bits 1, 1.5, 2 stop bits *1	
Parity check	Even, Odd, Non-parity *1	
Buffer memory	It has 128-byte receive and 128-byte transmit FIFO buffers.	
Connector	9-pin D-SUB Connector (Male)	
LED	STATUS (Green, Red), Transmission (Green), Reception(Green)	
Electricity consumption	90mA (Max.)	110mA (Max.)
Physical dimensions(mm)	25.2(W) x 94.7(D) x 124.8(H) (not include projection)	
Weight	170g	
Installation method	Quick mounting onto 35mm DIN rail	

*1 These items can be set by software.

⚠ CAUTION

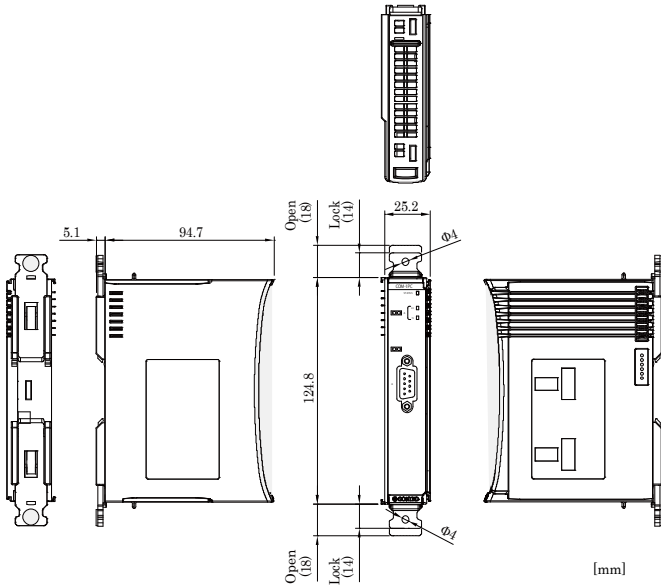
The maximum number of stacking devices operating along with the stack type controller is 16 and the total current consumption of the devices should be less than 3.3A.

Installation Environment Requirements

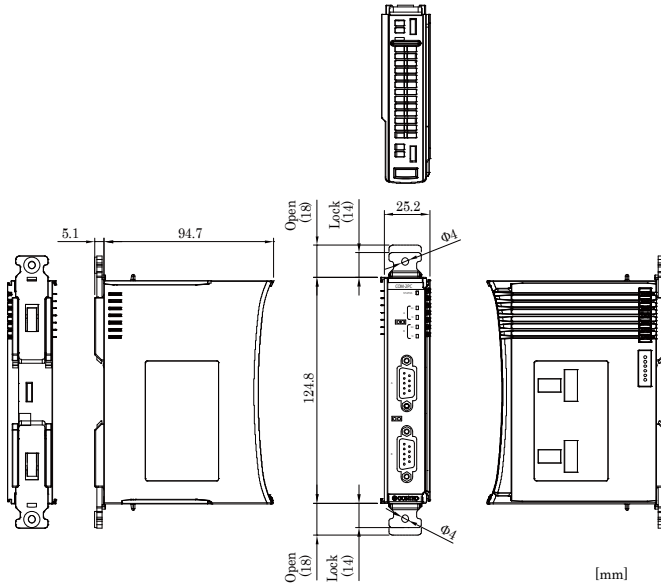
Item	CPS-COM-1PC	CPS-COM-2PC
Operating ambient temperature	-20 to +60°C	
Operating ambient humidity	10 to 90%RH (No condensation)	
Non-operating ambient temperature	-20 to +60°C	
Non-operating ambient humidity	10 to 90%RH (No condensation)	
Floating dust particles	Not to be excessive	
Corrosive gases	None	
Line-noise resistance	Line noise	Signal Line/±1kV (IEC61000-4-4 Level 3, EN61000-4-4 Level 3)
	Static electricity resistance	Touch/±4kV (IEC61000-4-2 Level 2, EN61000-4-2 Level 2) Air/±8kV (IEC61000-4-2 Level 3, EN61000-4-2 Level 3)
Vibration resistance	Sweep resistance	10 - 57Hz / semi-amplitude vibration 0.15m, 57 - 150Hz / 2.0G 40 minutes each in X, Y, and Z directions (JIS C60068-2-6-compliant, IEC60068-2-6-compliant)
Impact resistance	15G half-sine shock for 11ms in X, Y, and Z directions (JIS C60068-2-27-compliant, IEC60068-2-27-compliant)	
Standard	VCCI Class A FCC Class A CE Marking (EMC Directive Class A, RoHS Directive)	

Physical Dimensions

CPS-COM-1PC

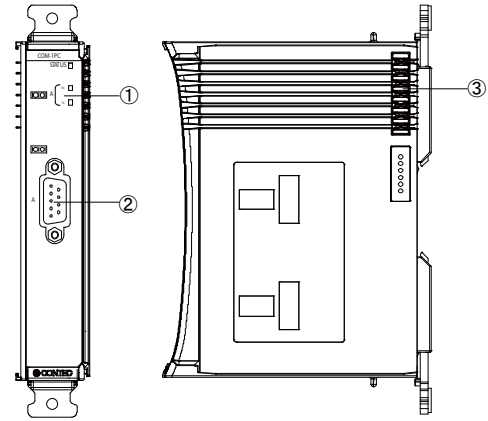


CPS-COM-2PC

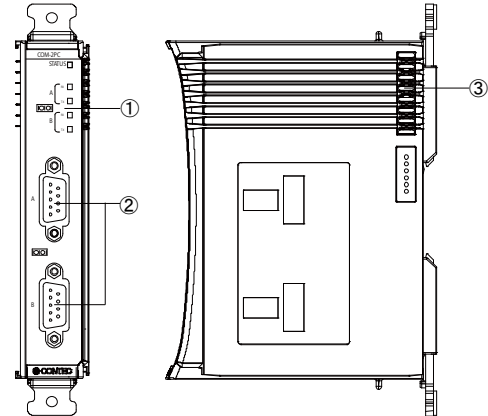


Component Name

CPS-COM-1PC



CPS-COM-2PC



1. LED : Indicates the status of the product.
2. RS-232C : S-232C Serial port (male).
3. Stack Bus : Used for the stacking device power supply and communication.

Packing List

- Product (One of the followings) ...1
[CPS-COM-1PC, CPS-COM-2PC]
- Product Guide ... 1
- Warranty Certificate ...1
- Serial number Label ...1

List of Option

Stack Type Controller

CPS-MC341-DS1-111: Stack Type CPU module

DIN rail mounting power supply

CPS-PWD-90AW24-01: DIN rail mounting power supply 90[w]
(Input: 100 - 240VAC, output: 24VDC 3.8 A)

CPS-PWD-30AW24-01: DIN rail mounting power supply 30[w]
Input: 100 - 240VAC, output: 24VDC 1.3 A)

* Information about the option products, see the Contec's website.